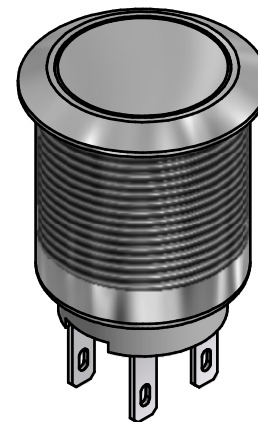
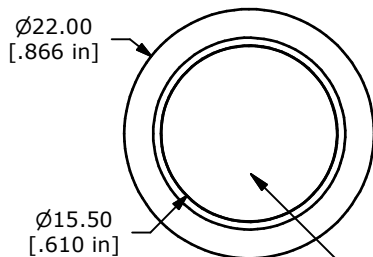
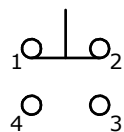


SWITCH FUNCTION	
POS. 1	POS. 2
ON	(ON)
1-2	3-4

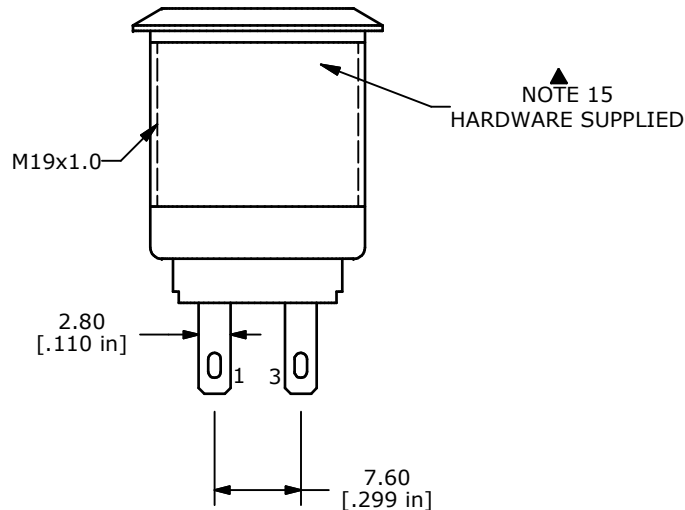
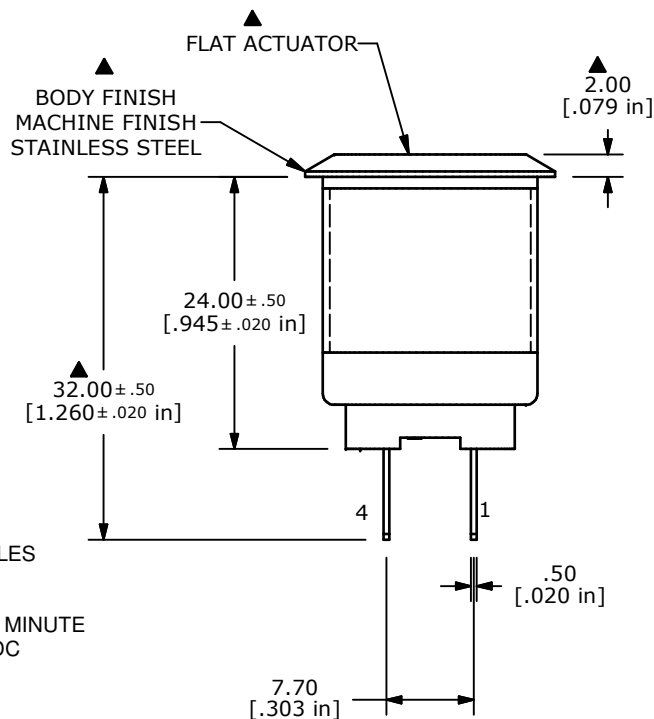
(ON) = MOMENTARY



ACTUATOR FINISH  
MACHINE FINISH  
STAINLESS STEEL



▲ SPDT  
CONTACT CONFIGURATION



- NOTE:
- ALL DIMENSIONS IN MM [INCH]
  - GENERAL TOLERANCE: X.X=±0.4  
X.XX=±0.25
  - TERMINAL NUMBERS FOR REF ONLY
  - CONTACT MATERIAL: SILVER
  - RATING: 2A 24VDC
  - ELECTRIC LIFE: 50,000 MAKE-AND-BREAK CYCLES AT FULL LOAD.
  - INSULATION RESISTANCE: 1,000 MΩ MIN.
  - DIELECTRIC STRENGTH: 2,000 VAC MIN. FOR 1 MINUTE
  - CONTACT RESISTANCE: 50mΩ MAX. @ 1A 12VDC
  - OPERATING TEMP.: -20°C to 55°C
  - TRAVEL: 2.8mm
  - ▲ DENOTES CRITICAL PARAMETER.
  - LAMP VOLTAGE: NONE
  - INGRESS PROTECTION: IP65
  - HARDWARE SUPPLIED: O-RING AND HEXNUT
  - ILLUMINATION COLOR: NONE
  - 2002/95/EC (ROHS) COMPLIANT.



TITLE PV4F2Y0SS

A	21582	RELEASE FOR PRODUCTION	9/16/14	EBP
REV	PCR NO	DESCRIPTION	DATE	BY

THE INFORMATION CONTAINED IN THIS DOCUMENT IS PROPRIETARY TO E-SWITCH AND IS NOT TO BE COPIED OR TRANSFERRED

SCALE	DATE	DR	DWG	REV
	9/16/2014	EBP	52-PV4F2Y0SS	A